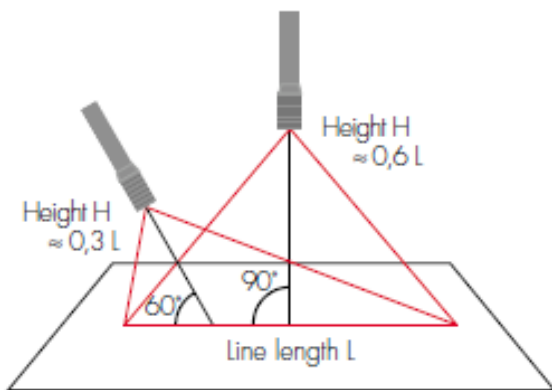
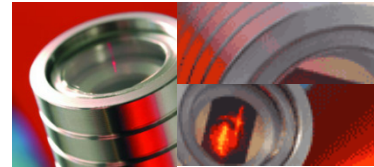


Visible laser diodes HD series



Technical data HD series :

- Laser diode : 635 red or 670nm
- divergence : 0,5 mrad
- Output beam diameter : 5 x 2 mm
- Adjustable focalization : 30 mm to ∞
- Power supply : 12 - 30 VDC
- Consumption : < 200 mA
- protection : IP 67
- Operation temperature : - 10 to +40 °C
- Mean life : <100 000 hours
- Dimensions with connector : L 140 x \varnothing 25 mm in front
20mm behind

Output Power	Line opening angle					cross	Optical Point
	80°	40°	30°	20°	10°		
1 MW	2	2	2	2	2	2	2
3 MW	2	2	2M	2M	2M	2	3R
5 mW	2	2M	2M	2M	3R	2	3R
10 mW	2M	2M	2M	3R	3R	2M	3B
15 mW	2M	3R	3R	3R	3R	2M	3B
30 mW	2M	3B	3B	3B	3B	2M	3B

Output Power	Line optical Ref.	Line length*	Cross optical ref.	Point optical Ref
1mW	1 HDL	1m	1 HDX	1 HDP
3mW	3 HDL	2m	3 HDX	3 HDP
5mW	5 HDL	4m	5 HDX	5 HDP
10mW	10 HDL	6m	10 HDX	10 HDP
15mW	15 HDL	10m	15 HDX	15 HDP
30mW	30 HDL	20m	30 HDL	30 HDP

P = point version - L** line version, line length obtained with optics 75 degrees*

X cross version if asked

Applications and advantages

The EUROLASE HD and LD series laser diodes, adapted to the industrial stringent environments, are used to trace a line, a point or a cross, visible even at the light of day. The optics that radiate a high quality beam may be manually focalized according to the application and the required distance. The line position will be maintain during the focalization.

An IP67 stainless steel cabinet, very strong, protects the laser diode, the optical elements and the electronic circuits. Besides, the laser diode is galvanically separated from the power supply, being, like that, protected from possible current variations. The various EUROLASE laser diodes range of models can be used with all the low tension power supply standard networks. .

Accessories

- Standard Supports **B2-HD** or **B2-LD** types
- Supports with 4 axes adjustments **B3-HD** or **B3-L** types
- with stainless steel protection for external or stringent environments including, (cooled version as an option) :
- Protection cabinet **BX-HD** type
- Adjustment feet for **BX-HD** type **PX-HD**
- Protection cover for **BX-HD** type **BOX-HD**
- Power supply cabinet 230 V AC / 24 V DC - 1A type **CP-HD**
- Cable with plug for transformer 230 V AC / 24 V DC type **STN-H**
- Cable with plug for transformer 230 V AC / 5 V DC type **STN-LD**
- Cross optics type **LX**
- 75°standard line optics, others if asked

Stainless steel protection kit

